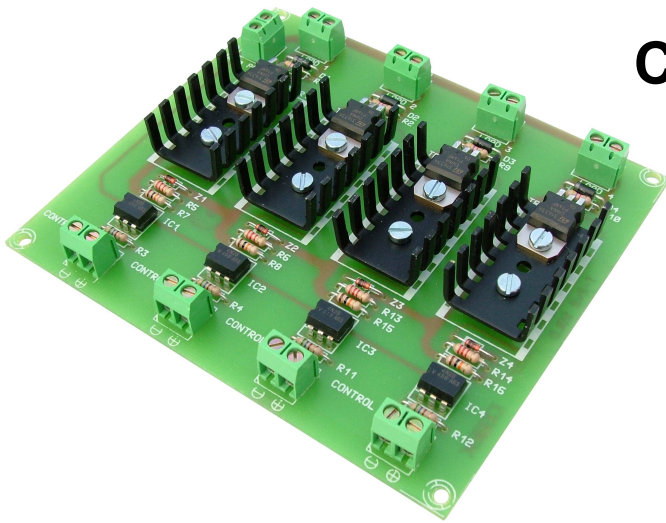




cebek[®]

INTERFACE OF 4 OPTO-COUPLED OUTPUTS at TRIAC T-3



TECHNICAL CHARACTERISTICS

Input Voltage min./max.	3 V. / 24 V. DC.
Min. Input Current.	5 mA.
Minimum/maximum Consumption.	0,2 / 20 mA.
Voltage Output.	230 V.A.C.
Min. Load by output.	50 W.
Max. load by output.	500 W.
Sizes	107x121.5x30 mm.

The T-3 module is an interface with four opto-coupled outputs completely insulated from inputs thanks to opto-couplers. When a voltage between 3 and 24 V DC is injected on any input and during this one is applied, the corresponding output will supply 230 V. It accepts TTL or Cmos control signals.

It allows its installation into a Din Rail, (Ref.: C-7589).

It doesn't accept inductive loads like neon, PL Lamps, transformers, etc.

INSTALLATION. Control signals that you will inject on each input have to have a minimum voltage of 3 V. DC and a maximum of 24 V. DC.

Make the wiring from your control signal until module's inputs, respecting their polarity and taking in account positive and negative symbols.

The used cable for each input has to be inferior than 30 cm. If it is necessary, using shielded cable, you could use a maximum length of 150 cm. In this case, you have to connect the braid of the cable to the negative terminal and the main wire to the corresponding positive terminal.

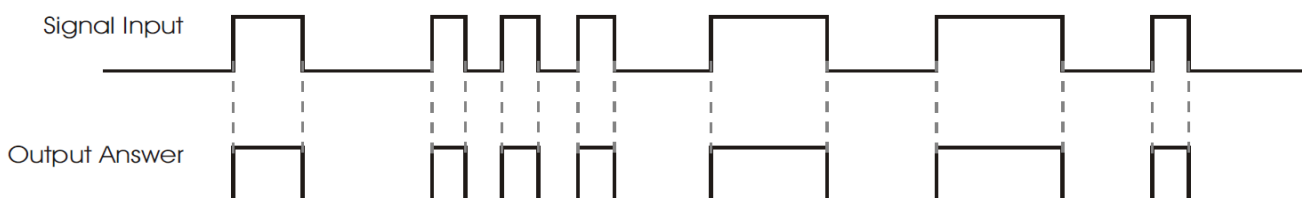
OUTPUTS CONNECTION. Connections indicated as 230 VAC in the text or in the wiring map have to be connected to 115 VAC. in Americans countries. Cebek's Modules and/or transformers will be supplied with corresponding modifications for their connection in these countries.

All outputs will be supplied through the "Mains" input. Apply on this input the common feed, (230 V). Install a fuse and a switch as it is indicated in General Wiring Map. Both are necessary to protect the module and for your own security, as it is indicated in EEC regulations. Then, verify that you have correctly connected the module.

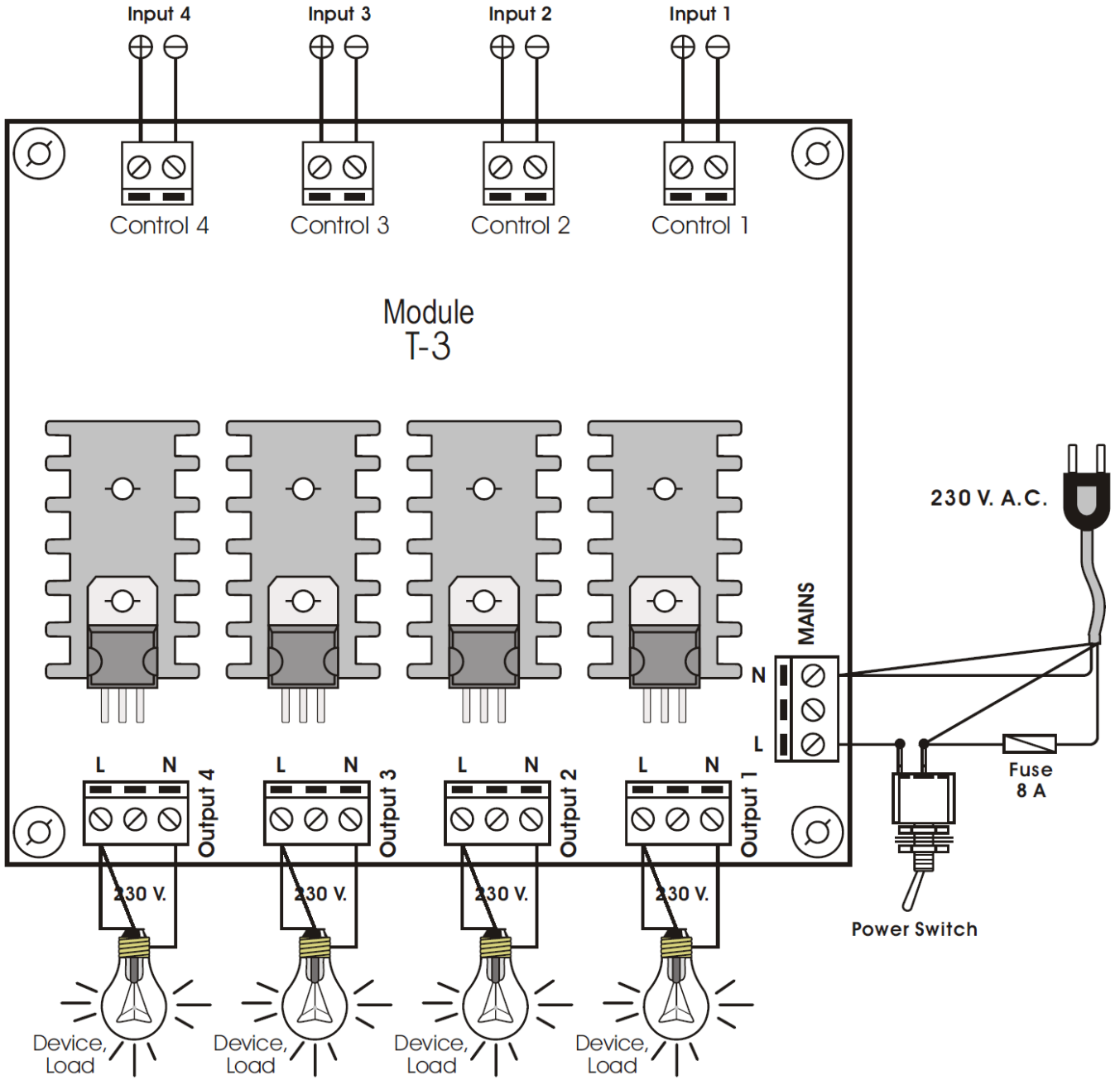
Before to connect the module to the mains inserting voltage, please do the rest of connections specified hereafter. Do not forget that in several part of the module there is voltage (230 VAC).

OPERATING MODE. The T-11 has got eight inputs completely insulated electrically from their corresponding output. When a voltage signal is injected, within a margin between 3 and 24 V. DC, on any inputs, the corresponding output will be activated, supplying 230 V. The output(s) will be connected until the applied

Pic. 1. Module performance according to the Input signal / Output connection.



GENERAL WIRING MAP



Cebek [®] is a registered trademark of the Fadisel group