



AL-1

ALARM FOR HOUSE AND CAR.

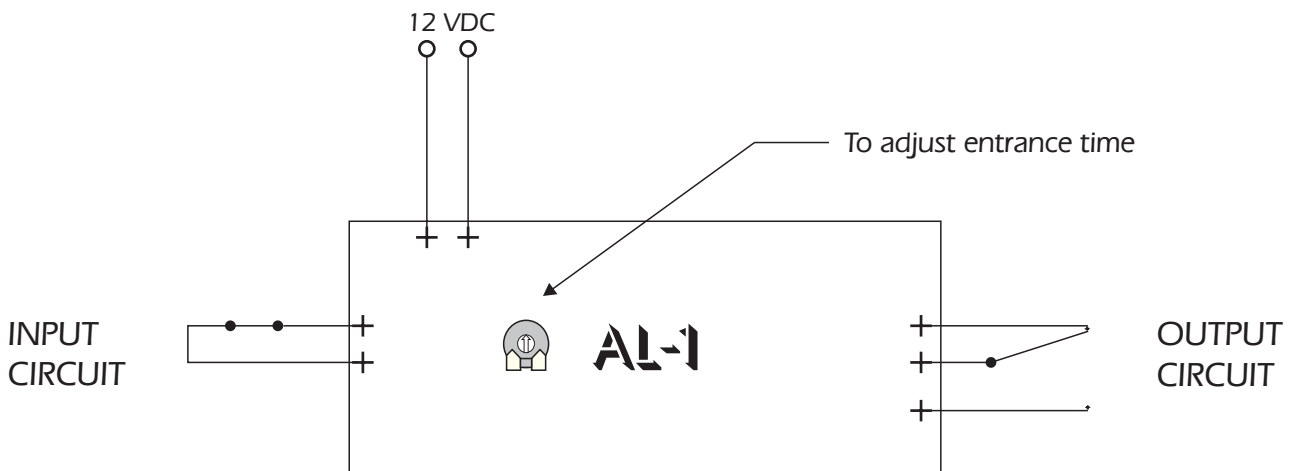
The AL-1 circuit is an alarm for domestic purposes and anti-thief alarm for car. It is composed by two C-MOS integrated circuits : 4023 and 4528, with an important immunity against false alarms due to parasites. These IC are charged to made all logical functions of the alarm. The output circuit is a relay, allowing to connect the AL-3 siren or AL-4 luminous flash.

TECHNICAL CHARACTERISTICS.

Voltage	12 V.D.C.
Quiescent Consumption	6 mA.
Alarm Consumption	50 mA.
Entrance Time	from 10 to 30 Sec.
Exit Time	15 Sec.
Alarm Time	3 Min.
Output Circuit (Inverter relay)	2 amp. (at 12 VDC)
Immunity Against Parasites	45 % V.D.C.

HOW TO INSTALL THE CIRCUIT.

Hereafter, you can find how to connect the AL-1 circuit.



VERY IMPORTANT: If you invert the polarity of the power supply, the circuit is automatically unused. For this reason, you have to verify all connections before to supply the module.

TECHNICAL SUPPORT AND INFORMATION.

For any questions or more information:

By Mail: C/ Quetzal, 17-21, Entlo. 2º (08014) BARCELONA - SPAIN.

By E-Mail: sat@cebek.com

Keep you invoice. For any repairing could you send this with module. Else, the module will lost the warranty.

**MORE 300
MODULES.**

All the module's CEBEK have **3 years of total warranty** in thecnical repairing, and spares from the date of buy.

WARRANTY

**3
YEARS**

CEBEK is trade make of FADISEL S.L. more than 300 module's are available in stock for any purpose **request our CATALOGUE**, or visit our Web. www.cebek.com