



## THERMOSTAT MODULE 5 - 30°C ( 41 - 86°F)

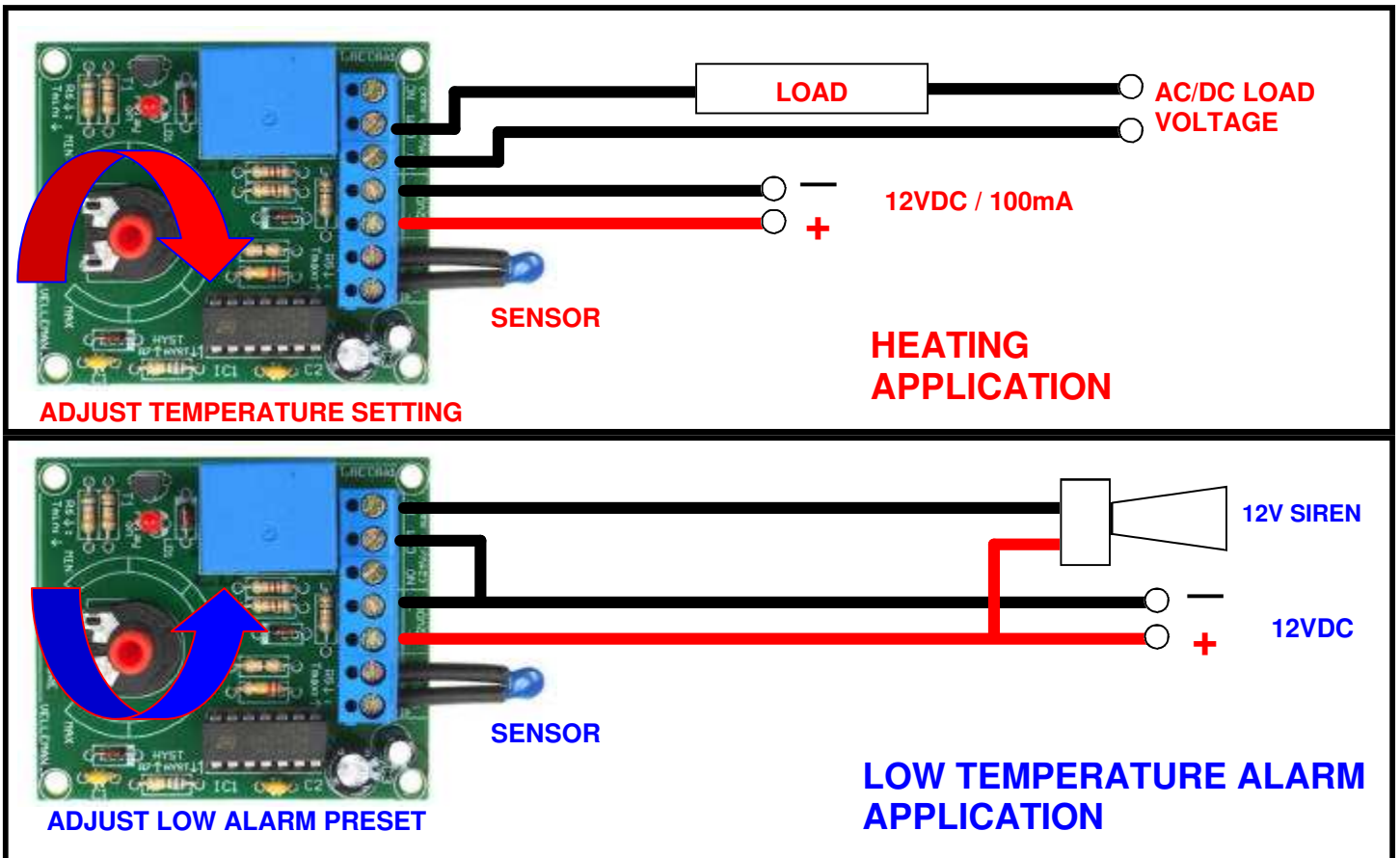
VM137



Simple low-cost thermostat / temperature controller for various applications.

- Use for frost protection
- Automotive applications (fan control)
- Air-conditioning controller

- Heating controller
- Temperature regulated fan control (on/off)
- Preset temperature alarm ( frost alarm)



### Specifications:

- General purpose low-cost thermostat with NTC temperature sensor
- Temp. range : 5 to 30°C approx. (41 to 86°F)
- Output relay with LED-indicator
- Relay power rating : 3A normal open and normal closed contact
- Power supply : 12VDC / 100mA
- Hysteresis: 1°C ( 1.8°F)
- Dimensions : 54x62x28mm