



INTERVAL TIMER MODULE

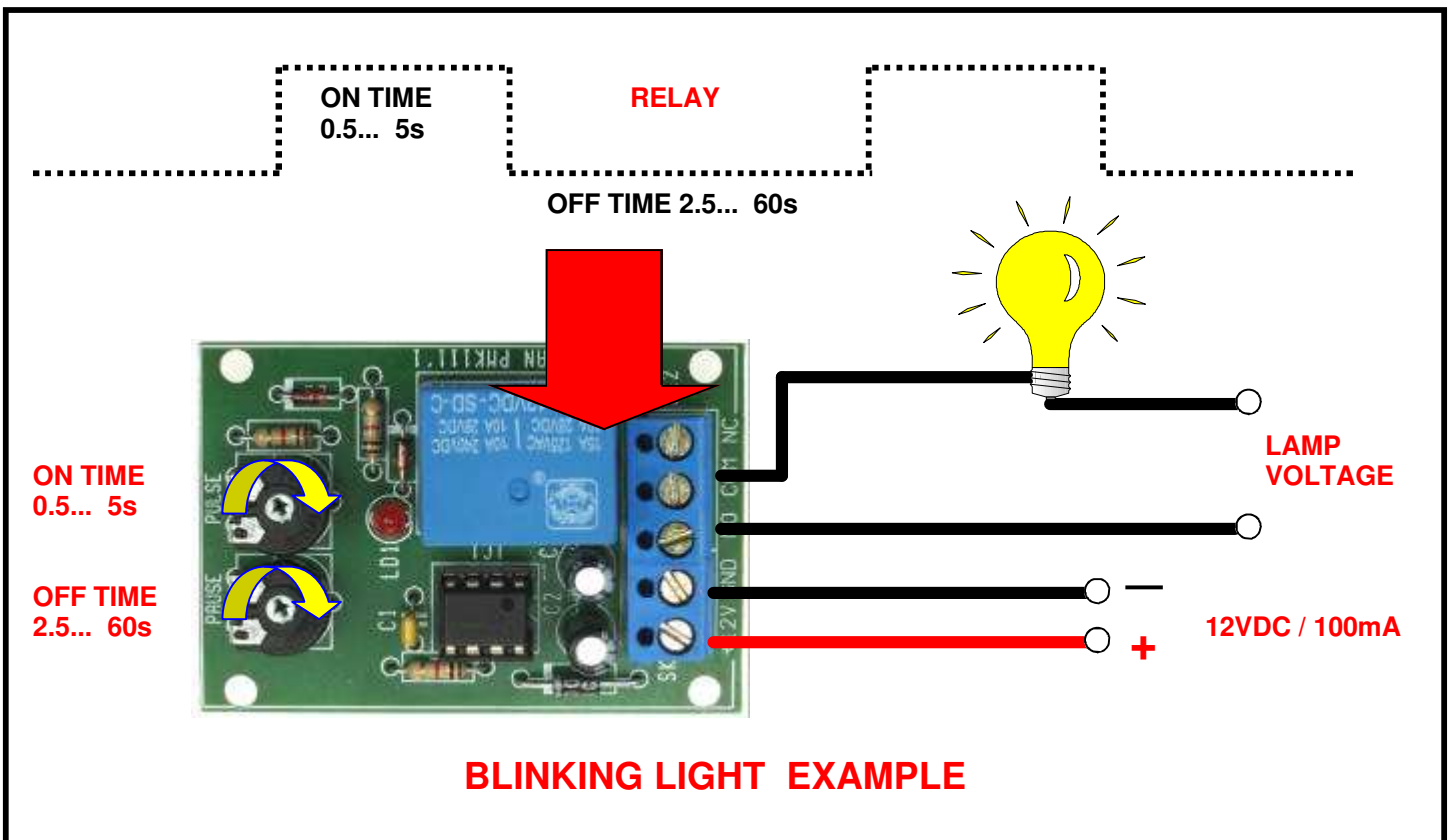
VM136



General purpose pulse - pause timer for various interval timer automations
For intermittent operation of circuits and equipment.

- Blinking light, warning light
- Slide projector control
- Automated testing

- Video/photo single frame shooting,
- Miniature models applications
- Automated aging tests



Specifications:

- output relay with NO / NC contact: 3A
- pulse time adjustable: between 0.5 and 5s
- pause time adjustable: between 2.5 and 60s
- power supply: 12Vdc / 100mA
- dimensions: 40 x 85mm (1.6" x 3.4")