



Energy Saver Module

VM133

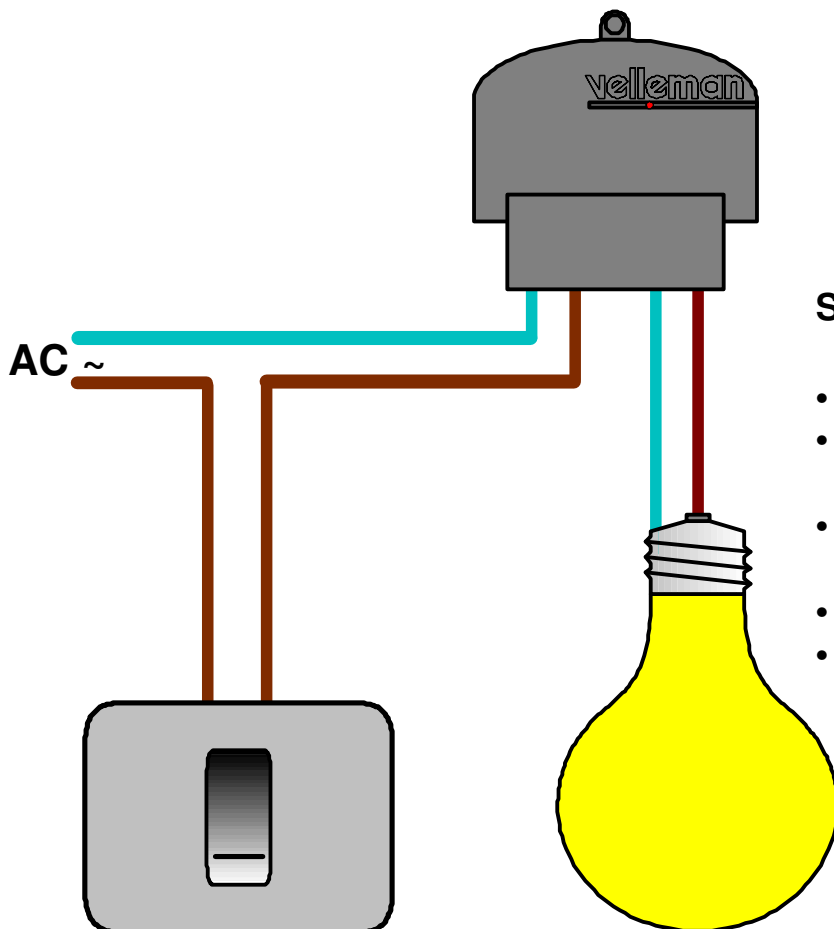
Ever forgot to turn off the light or other appliance ?

With this unit no more worries;

It will always turn off your light or small appliance.

Just install it between the wires and it is set!

Different timers can be selected.



Specifications:

- Input voltage: 110 to 230Vac
- Maximum output: 500W (250W inductive load)
- Selectable timers: 1h, 2h, 4h or 8h
- LED power / timer indication
- Dimensions: 80x70x25mm