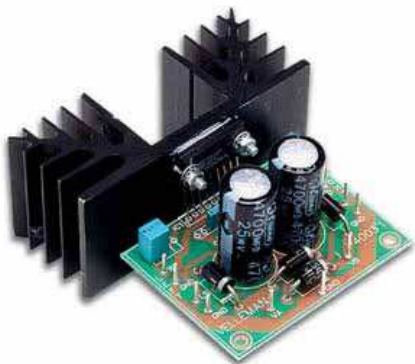



2 x 30W stereo amplifier




VM113

Thank you for purchasing this module. Please read the instructions carefully to ensure correct and safe use.



WARNING



DISCONNECT AC POWER DURING INSTALLATION!

READ THE OPERATING AND MAINTENANCE INSTRUCTIONS IN THIS USER GUIDE CAREFULLY!

WARRANTY

This product is guaranteed against defects in components and construction from the moment it is purchased and for a period of ONE YEAR starting from the date of sale. This guarantee is only valid if the unit is submitted together with the **original purchase invoice**. VELLEMAN Ltd limits its responsibility to the reparation of defects or, as VELLEMAN Ltd deems necessary, to the replacement or reparation of defective components. Costs and risks connected to the transport, removal or placement of the product, or any other costs directly or indirectly connected to the repair, will not be reimbursed by VELLEMAN Ltd. VELLEMAN Ltd will not be held responsible for any damages caused by the malfunctioning of a unit.

CONTENTS :

FEATURES & SPECIFICATIONS.....	4
CONNECTION.....	5
SAFETY & WARNINGS	6

Specifications and features

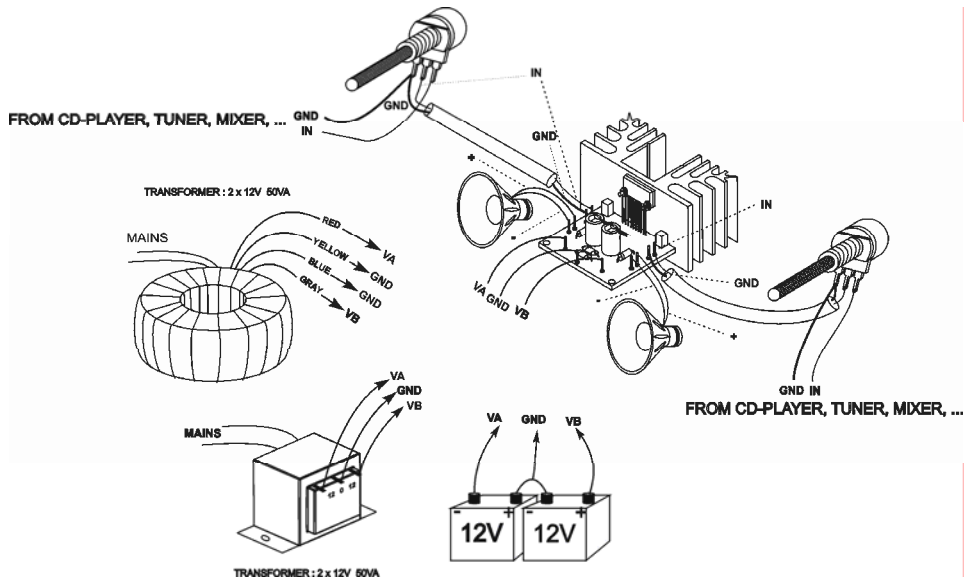
This small amplifier is constructed with the TDA1521 IC, with a maximum supply capability of 2 x 15Wrms (4ohm) of 2 x 10Wrms (8ohm). The IC is thermally and short-circuit protected.

Additional rectifier and smoothing filter are unnecessary, as alternating current can be directly connected to the unit.

SPECIFICATIONS

- Music power output: 2 x 30W / 4ohm
- RMS output: 2 x 15Wrms / 4ohm or 2 x 10Wrms / 8ohm
- Total harmonic distortion: 0.07% (1W / 1kHz)
- Channel separation: 70dB
- Frequency response: 7Hz to 60kHz (-3dB)
- Signal-to-noise ratio: 98dB (A weighted)
- Input sensitivity: 300mV / 150Kohm
- Transient suppression on/off switch
- Overload and short-circuit protection: max. 1h
- Supply voltage: 2 x 12Vac / 2A (50W transfo recommended)
- Dimensions: 70 x 50mm
- Recommended transformer: 212048 or 8012

Connection





All repairs should be executed by qualified technicians.



Avoid the installation of the module in locations with standing or running water or excessive humidity. Indoor use only !

SAFETY INSTRUCTIONS

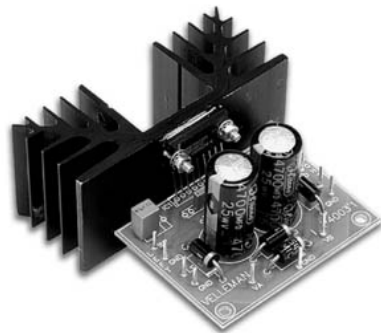
- Do not attempt to disassemble the unit as it does not contain any parts that are to be serviced by the user. (Tampering voids warranty)
- Handle the module gently and carefully. Dropping it can damage the circuit board and case.
- Never exceed the protection limit values indicated in the specifications.
- As safety requirement vary, please check with your local authorities.
- No objects or liquids should be allowed to penetrate the housing.
- Make sure that the ventilation slots are not blocked.
- Disconnect the module from the AC power before connecting new devices.
- Wipe the device with a dry and clean cloth. Do not use detergents or other liquids that may damage the housing.
- Keep the device away from children.
- Facilitate the operation of the device by familiarising yourself with its adjustments and indications.
- Velleman modules are not suitable for use or as part of life support systems, or systems that might create hazardous situations of kind.

Repair under warranty is only possible with date and proof of purchase.

VM113

USER MANUAL

2 x 30W stereo amplifier



Belgium [Head office]	Velleman Components	+32(0)9 384 36 11
France	Velleman Electronique	+33(0)3 20 15 86 15
Netherlands	Velleman Components	+31(0)76 514 7563
USA	Velleman Inc.	+1(817)284-7785
Spain	Velleman Components	+32(0)9 384 36 11

