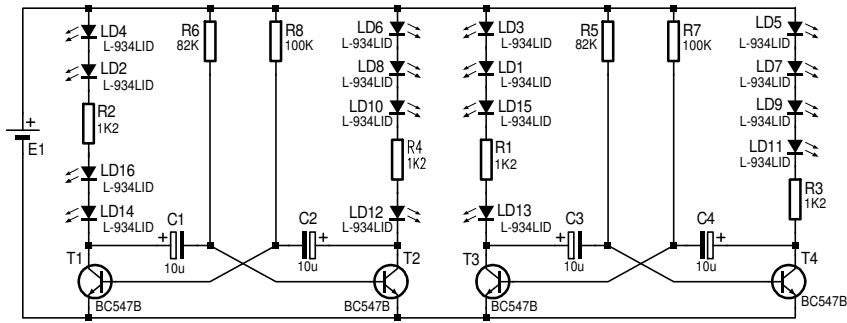
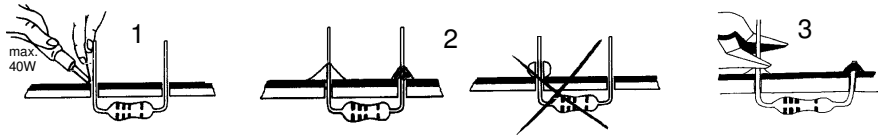


Soldering - Solderen - Soudage - Löten - Soldadura - Lötning - Juottaminen - Saldatura - Solda



VELLEMAN KIT NV
 Legen Heirweg 33
 9890 Gavere
 Belgium
 Email: Support@velleman.be

1 Resistor - Weerstand - Résistance - Widerstand - Resistencia - Motstand - Vastus - Resistenze

◇ R1: 1K2 (Brown, Red, Red) - (Bruin, Rood, Rood) - (Brun, Rouge, Rouge)
 ◇ R2 (Braun, Rot, Rot) - (Brun, Röd, Röd)
 ◇ R3 (Ruskea, Punainen, Punainen) - (Marrón, Rojo, Rojo)
 ◇ R4 (Castanho, Encarnado, Encarnado) - (Marrone, Rosso, Rosso)
 ◇ R5: 82K (Grey, Red, Orange) - (Grijs, Rood, Oranje) - (Gris, Rouge, Oranje)
 ◇ R6 (Grau, Rot, Orange) - (Grå, Röd, Orange)
 (Harmaa, Punainen, Oranssi) - (Gris, Rojo, Naranjado)
 (Cinzeno, Encarnado, Laranja) - (Grigio, Rosso, Aranciato)
 ◇ R7: 100K (Brown, Black, Yellow) - (Bruin, zwart, Geel) - (Brun, noir, Jaune)

2 LED

COLOR= 2...5 ◇LD1... LD16: 3mm

Watch the polarity !

Cathode ! CATHODE

3 Transistor

◇ T1: BC547
 ◇ T2: BC547
 ◇ T3: BC547

4 ELCO

◇C1: 10µF
 ◇C2: 10µF
 ◇C3: 10µF
 ◇C4: 10µF
 Watch the polarity !

5

A

20mm

B

C