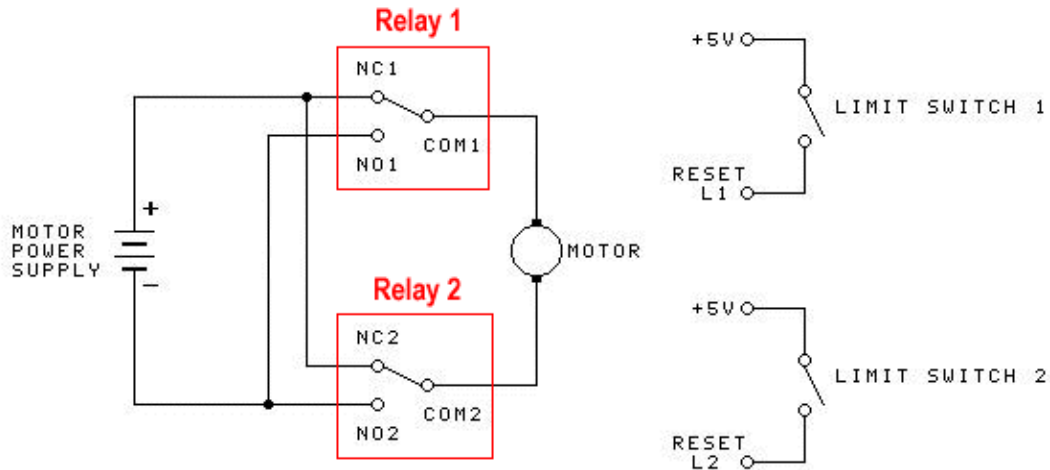


UHF Remote Control Reversible DC Motor with Limit Switches

The wiring diagram below shows how two relays can be used to make a reversible DC motor controller. The example below is based on using our 2-Channel UHF Remote Control Relay Board with Limit switches (Order Code [3157](#) - see ordering details below).



Notes:

Motor must be a DC type - AC motors won't work.

Our UHF remote control relay boards 3157 (2-channel for 1 motor) or 3180 (4-channel for 2 motors) can be used as both have Reset inputs for limit switches.

They can be set to either momentary or latching mode. Either will work with this setup – the only proviso is that all channels are set the same.

If set for momentary mode, the button has to be kept pressed until the limit switch is reached.

If set for toggle mode, the button has to be pressed just once for the motor to run until the limit switch is reached.

Limit switches are normally open types. Limit switch 1 is operated when it reaches the 'end of travel' caused by channel 1 relay being operated. Similarly for limit switch 2 and channel 2 relay.

Ordering

Both UHF Remote Control Relay Boards can be ordered online at:

3157 at <http://www.quasarelectronics.com/3157.htm> (2-Channel version)

3180 at <http://www.quasarelectronics.com/3180.htm> (4-Channel version)