

C3385A (PAL) C3386A (NTSC) Color Camera Module

It is a series of low cost but high level of functionality CMOS camera modules. It is small size, low voltage, low power consumption and high performance color video camera.

Features:

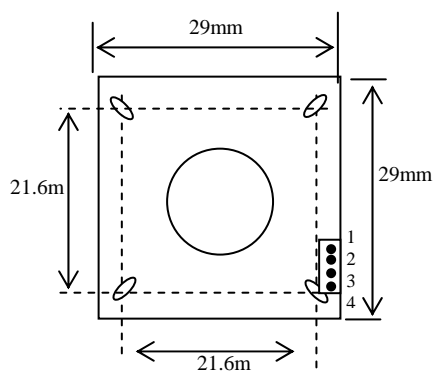
- ✓ Small size : 29x29 mm
- ✓ Full resolution: 365Kpixels
- ✓ 1/3" lens format
- ✓ 7.5 - 9VDC operation
- ✓ Low power consumption
- ✓ Direct connect to standard video monitor
- ✓ Sensitivity boost (+42dB)
- ✓ Automatic white balance
- ✓ Auto exposure/gain with 16 zone control
- ✓ Aperture / Gamma correction
- ✓ Low dark current
- ✓ Defective pixel correction



Application Example

- Video conferencing
- Video Phone
- Industrial application
- Security and Surveillance System
- Toys

Mechanical Size



Specification

	C3385A (PAL)	C3386A (NTSC)
Imager	CMOS imager sensor OV7949	
Exp Range	1/60sec –12uS	
Video Output	Composite video (75Ω)	
Picture Element	628 x 586 pixel	510 x 496 pixel
Effective image area	5.96 x 4.27mm	
Sensitivity	2.26V/Lux-sec @5600K	
Resolution	380 TV lines	
S/N Ratio	47dB Max	
Dark Current	10mW/s @60C	
FPN	0.079% of Vp-p	
Dynamic range	50dB	
Operation Voltage	7.5 – 9 VDC	
Power consumption	300mW	
Connectors	0.1" pitch, PWR, Video, GND	
Lens	f=6mm F/no: 1.8	
Board size	29x29mm	

Connector Description

- | | | |
|----|-----|---|
| 1 | CVO | Composite Video Output. Direct connect to TV Video In |
| 2 | GND | Common Ground for power and video |
| 3 | NC | No connection |
| 4. | PWR | Power Supply 7.5 - 9V DC |