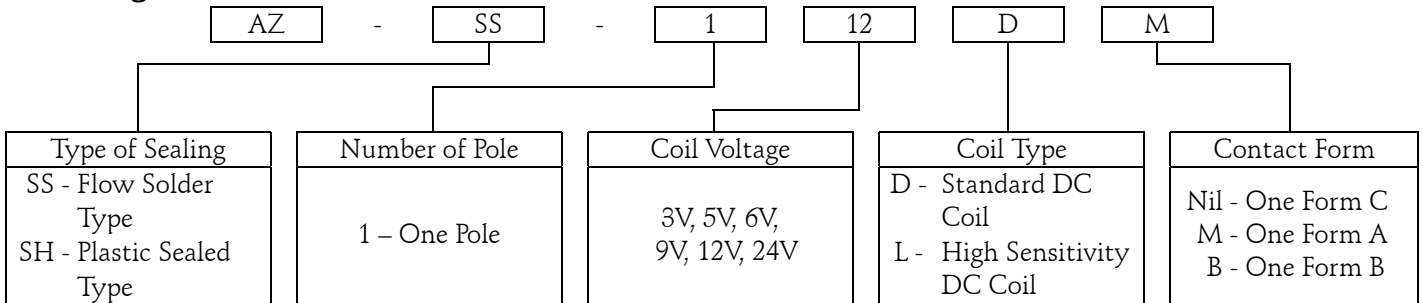




**Coil Specification (at 20°C)**

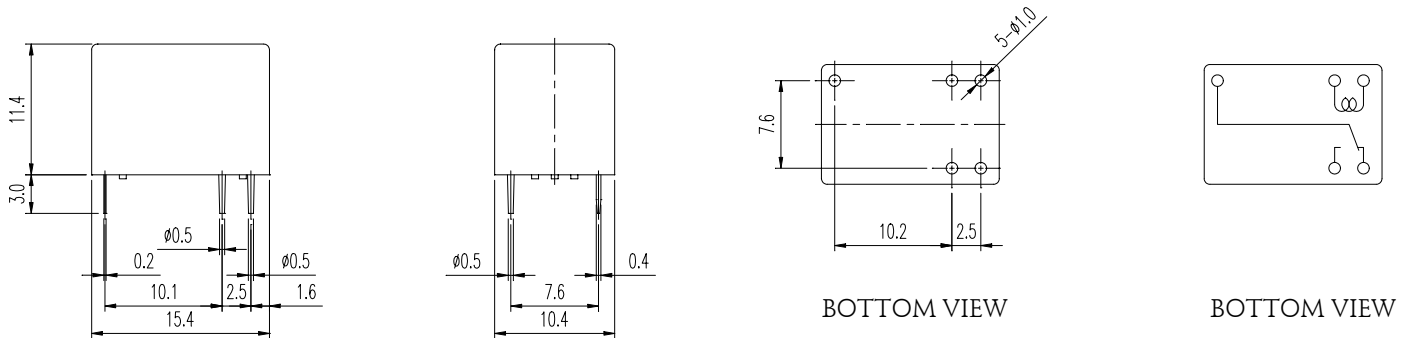
Coil Sensitivity	Nominal Voltage (VDC)	Nominal Current (mA)	Coil Resistance ( $\Omega \pm 10\%$ )	Power Consumption (W)	Pull-In Voltage (VDC)	Drop-Out Voltage (VDC)	Maximum Allowable Voltage (VDC)
AZ-D	3	150	20	Abt. 0.45	70% Maximum	5% Minimum	130%
	5	89	56				
	6	75	80				
	9	50	180				
	12	37.5	320				
	24	18.8	1,280				
AZ-L	3	66.7	45	Abt. 0.20	75% Maximum	5% Minimum	130%
	5	41.6	120				
	6	33.3	180				
	9	22.5	400				
	12	17	700				
	24	8.6	2,800				

**Ordering Information:**



**Dimension:**

AZ-SS/SH



**Reference Data:**

